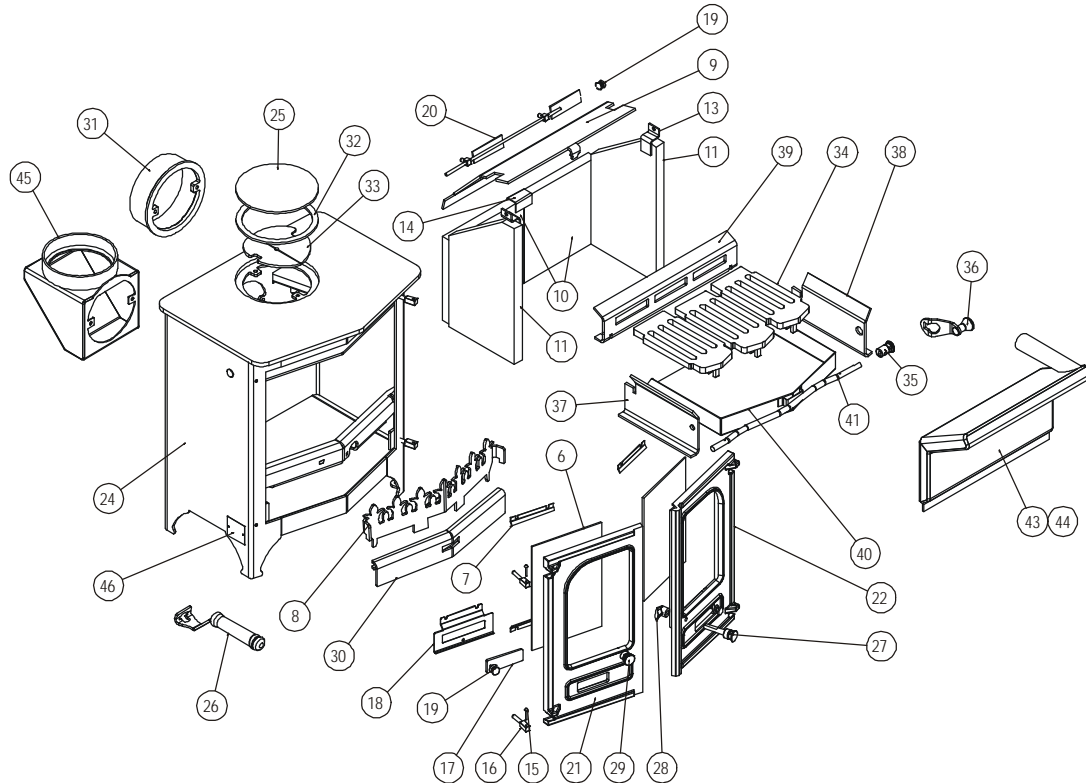


Parts List



Item	Part No.	Description	Item	Part No.	Description
1*	008/LV35L	Left Hand Door Seal	36#	008/DY27	Riddling Tool
2*	008/LV35R	Right Hand Door Seal	37#	010/DY05L	Side Grate Support Plate L.H.
3*	008/LV35/S	Door Seal Set Incl. Adhesive	38#	010/DY05R	Side Grate Support Plate R.H.
4*	008/FW29	Door Seal Adhesive	39#	010/DY06	Rear Grate Support Plate
5*	008/TW44S	Glass Channel (set of 8)	40#	004/GV17	Ashpan
6	006/LW30	Glass (Inc Channel)	41#	010/DY13	Riddler Rod
7	004/GV23	Glass Retainer	42*	008/DY23	Riddler Rod Retaining Clips (pack of 10
8	010/DY08	Fuel Retainer	42a	010/DY20	Multi Fuel Kit (Optional Extra)
9	010/DY31	Throat Plate	43	010/TW50	Boiler, Steel (Optional Extra)
10	011/GV29B	Back Half Fire Brick	44	010/TW50/SS	Boiler, Stainless Steel (Optional Extra) ...
11	011/GV28	Side Fire Brick	45	010/TW33	Vert. Rear Flue Connector (Opt'l Extra)
12	011/GV28S	Set of Fire Bricks	46	012/GV11	Serial No. Label
13	004/GV27	Brick Retainer	47*	010/EW51	Ash Carrier (Optional Extra)
14	004/GV24	Rear Brick Joining Bracket			
15	008/BW39/S	Hinge Pin Set (4 per set)			
16	008/FW27	Hinge Post			
17	012/TW14	Primary Air Slide			
18	004/DY26	Primary Air Slide Guide			
19	002/TW13	Air Control Knob			
20	004/TW48	Airwash Slide			
21	002/GV01	Left Hand Door			
22	002/GV02	Right Hand Door			
23	010/TW55	Flue collar for Cast Pipe (Opt'l Extra) ...			
24	001/DY10	Firebox (Country 6 MkII)			
25	012/TW09	Blanking Plate			
26	012/BV20/A	Ashpan / Door Opening Tool			
27	002/DY18	R.H. Door Knob & Spindle			
28	002/AY14	Door Catch Cam			
29	002/DY19	Left Hand Door Knob			
30	010/DY14	Wood Ash Retainer			
31	002/CH12B	Flue Collar			
32	010/NV11	Flue Spacer Ring			
33	010/TW61	Clamping Plate			
34#	002/DY03	Grate Plate			
35#	002/DY21	Riddler Knob			

* These items are not shown on the drawing.

These items are included in the optional multi-fuel kit.



To obtain spare parts please contact your local stockist giving Model, Part No. and Description. In case of difficulty contact the manufacturer at the address shown. This drawing is for identification purposes only.